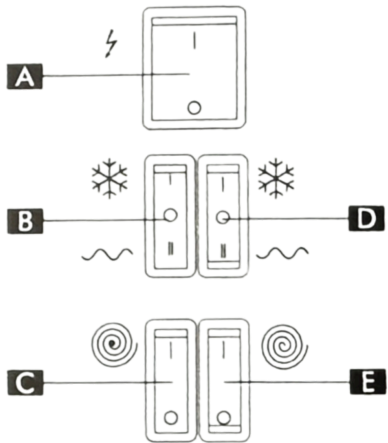


Carpigiani Cleaning Instructions

Florida Frozen Drinks | info@floridafrozendrinks.com | 561-313-6589



Controls



A. Main switch: it is used to switch on/off the power supply to the whole machine A.

B. Left bowl refrigeration switch

- In position "I" is in the freeze mode (slush/frozen)

- In position "0" the refrigeration system is off

- In position "II" defrost/night mode

C. Left bowl mixing switch: it is used to switch the gear motor that drives the auger in the left bowl on and off.

D. Right bowl mixing switch: it is used to switch the gear motor that drives the auger in the right bowl on and off.

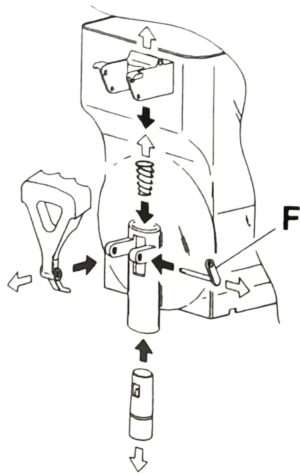
E. Right bowl refrigeration switch

- In position "I" is in the freeze mode (slush/frozen)

- In position "II" defrost/night mode

- In position "0" the refrigeration system is off

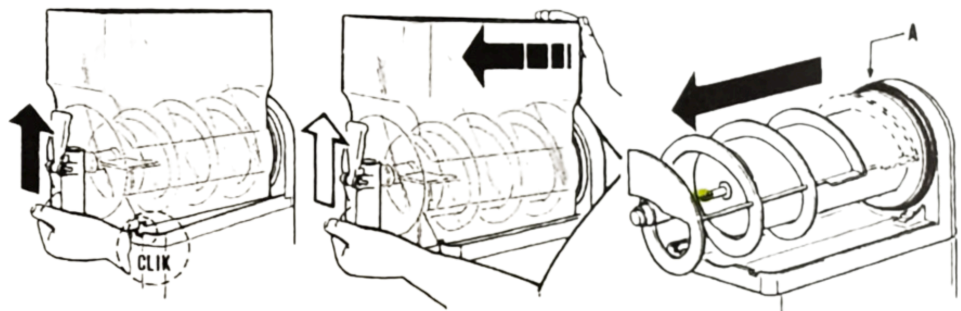
RECOMMENDED CLEANING



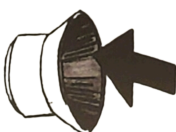
1. Turn cooling to OFF selection. Empty all product from the hopper(s). Turn auger to OFF selection. Remove lid.

2. Remove the pin F from the faucet so that free access to all parts is allowed, and disassemble the tap. Wash all parts thoroughly. After removing the handle and pin, place pin in the handle so that you don't lose it. Before reassembling lightly lubricate the seals with provided lube.

3. Remove the tank by lifting the front part until it is released; then lightly push from the rear side. Remove the mixing spiral with the suction as well as gasket A.



4. When reassembling, lubricate around the back of the bowl where the gasket A would sit. This will help seal the bowl and assist on reseating it. **Also, lubricate the suction cup that sits on the mixing spiral.**



Suction Cup
Lube Here

Watch Video ==>>



Wash all parts IN COOL WATER with a detergent and sanitizing solution.

Parts are not dishwasher safe.